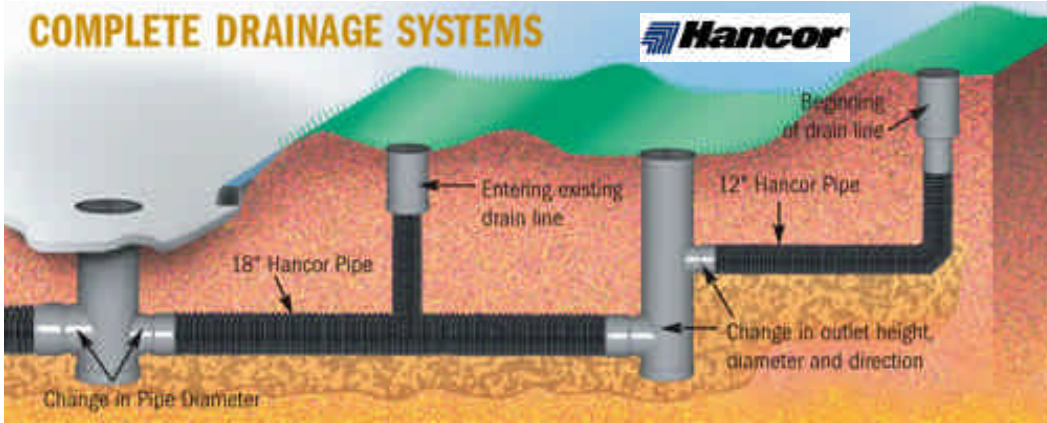


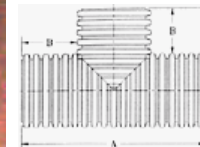
High density polyethylene (HDPE) N-12 culverts are a preferred road construction drainage material. Today there is an accelerating trend to replace steel and concrete piping with polyethylene because of its superior mechanical and chemical properties and cost-effective handling characteristics.

- **Structural Strength:** HDPE's toughness and flexibility enable it to withstand fill heights up to 100 feet or more
- **Abrasion Resistance:** HDPE material loss rate is only 15% to 25% of that of concrete
- **Light Weight:** Weighs 50% to 75% less than comparable steel pipe, and about 1/10 the weight of concrete.
- **Chemically Inert:** HDPE is highly resistant to corrosion - can be safely used in a pH range of 1 to 14.

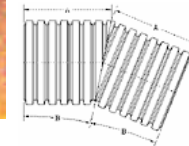


We carry a full line of EAST JORDAN steel grates and drain basins for drainage projects. We can also supply DOTD grates and other drainage products for spec jobs. Contact us for your next drainage project.

FABRICATE FITTINGS FOR CULVERTS 8"-48"



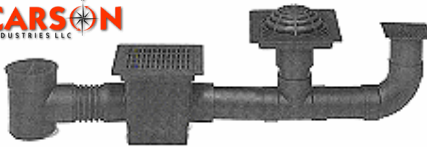
N-12 Tee



N-12 Elbow

Nyloplast Fabricated inline drains & drain basins available from 8"-24"

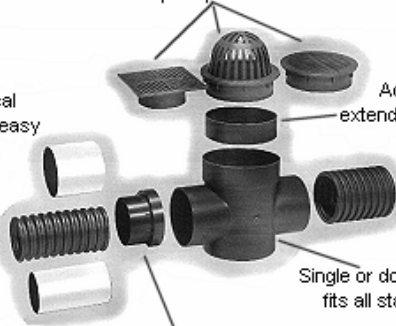
- * Saves installation time
- * Easy to use
- * Transition to



Carson offers a wide range of drainage products for commercial and industrial applications. **Drainage Basins:** Used to collect surface water and carry it to a drainage point. Available with different outlet options for plumbing into and out, and different color and style grates. **Channel Grates:** Used to collect surface water around pools or where there is a wide area of potential water shed. Available in different widths and lengths with multiple outlet options.

Use with our 7 1/2" square, 6" Round or 6" Atrium grates.

A single Universal Adapter allows easy connection to 3" or 4" S/D pipe, 3" or 4" corrugated, or 4" SD35 and 4" DWV pipe.



Add 6" SDR pipe to extend to any desired height.

Remove Universal Outlet when using 4" corrugated pipe.

Single or double outlet Catch Basin fits all standard accessories.

Universal Outlet Adapter included with catch basin allows versatile system configurations.

■ VERSATILE & STRONG
Available with our atrium grate or newly designed square grate, the basins support cast iron, galvanized, and plastic grates.

■ UNIQUE DESIGN
New 1 1/2" flanged top design prevents catch basin from setting below grade and provides more support for concrete applications.

6" Universal Outlet fits 6" S/D and 6" corrugated and 6" SDR35 pipe.

8" Universal Outlet fits 8" S/D and 8" corrugated pipe.



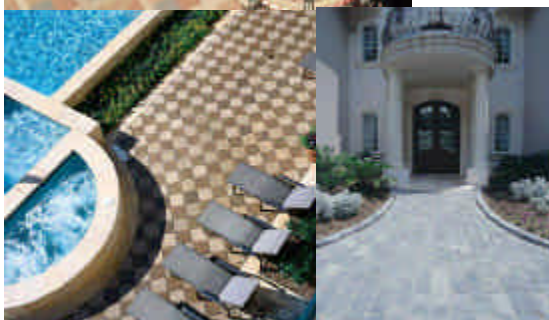
3" x 4" Universal Offset Outlet fits 3" & 4" corrugated pipe, 3" & 4" S/D pipe, and 4" SDR35 pipe. Offset allows for adjusting inlet height.



IMPROVING YOUR LANDSCAPE™

We supply pavers for commercial and residential applications. Contact us for your next job.

www.pavestone.com



Contact us for your retaining wall

