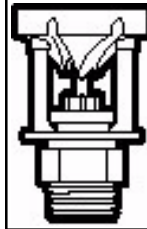




Senninger Sprinklers (Tough Plastic)

- Outwear and cost less than brass sprinklers
- Built in reparability for easy in the field maintenance
- Flow rates: 0.5-45 gpm
- Lower operating pressures 15-35psi
- High-impact engineering grade thermoplastic



THE WOBBLER

Great for Frost Protection and Nursery Containers
High Uniformity

Frost Protection: It out preforms brass impacts in frost protection by preventing ice build up on the head, operating at lower pressures and flows, provides complete 360* coverage at all times, easy installation, inexpensive and long life.

SEE CHART BELOW FOR PERFORMANCE

Flow and Dia @ pressure	10 psi Flow (gpm)/Dia(ft)	15 psi Flow (gpm)/Dia(ft)	20 psi Flow (gpm)/Dia(ft)	25 psi Flow (gpm)/Dia(ft)	30 psi Flow (gpm)/Dia(ft)
#6 nozzle Gold	0.78/34.0	0.95/39.0	1.10/41.5	1.23/43.5	1.35/44.0
#7 nozzle Lime	1.06/36.5	1.30/41.5	1.50/43.5	1.68/45.0	1.84/45.5
#8 nozzle Lavender	1.40/38.5	1.71/43.5	1.98/45.0	2.21/46.5	2.42/47.0
#9 nozzle Grey	1.80/40.5	2.20/45.5	2.54/46.5	2.84/47.5	3.11/48.0
#10 nozzle Turquoise	2.22/42.0	2.72/47.0	3.14/48.0	3.51/48.5	3.85/49.0
#11 nozzle Yellow	2.69/43.0	3.30/48.0	3.81/49.0	4.26/49.5	4.67/50.0
#12 nozzle Red	3.23/44.0	3.96/49.0	4.57/50.0	5.11/50.5	5.60/51.0



Inverted Mini-wobbler (upright Mini also available)

- Great uniformity for hanging systems in greenhouses at low pressures
- 1/2"mpt base
- High-impact grade thermoplastic construction
- Low evaporation loss

Nozzle	25psi	gpm	30psi	gpm
#4 Blue	27.6'	0.56	28'	0.62
#6 Gold	31.4'	1.25	31.8'	1.36
#8 Lav.	32.2'	2.18	32.6'	2.39



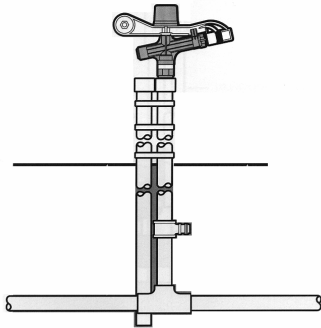
T-Spray

- No moving parts
- High-impact grade thermoplastic construction
- Use inverted or upright
- 1/2"mpt base



Nozzle	25psi	gpm	30psi	gpm	35psi	gpm
#6 Gold	19.5'	1.27	20.5'	1.4	21.5'	1.52
#7 Lime	20.5'	1.73	21.5'	1.9	22.5'	2.05
#8 Lav.	21'	2.23	22'	2.45	23'	2.65

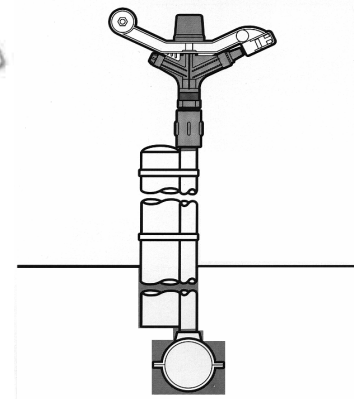
20-30-40-50 SERIES IMPACTS UNDERTREE/OVERHEAD WITH PVC SUPPORT



Impact Sprinklers (Tough Plastic). Stands up to abuse in log yards! Easy and cheap to rebuild! Outlast brass impacts!



70 SERIES OVERHEAD WITH CONCRETE SUPPORT



Senninger Impact Sprinkler Chart

- Diameter at 1.5' sprinkler height & 50psi.
- (30,40,50) Based on 23* single nozzle
- 70 & 80 based on 25* single nozzle
- Other nozzle sizes, angles & models available

*80 series with a #40 nozzle at 50psi gives dia=175' and flow =77.6gpm

	#8	#10	#12	#14	#16	#18	#20	#22	#24
30 series	95' 3.17gpm	102' 4.99gpm							
40 series		102' 4.99gpm	106' 7.24gpm	112' 9.82gpm					
50 series				112' 9.82gpm	116' 12.7gpm	120' 15.9gpm			
70 series				120' 9.97gpm	128' 13gpm	135' 16.3gpm	141' 20gpm	145' 24.1gpm	148' 28.4gpm
80 series								144' 23.6gpm	148' 28.1gpm